

**MiBOXER<sup>®</sup>**

**Mi • Light Subordinate New Brand**

GU10 RGB+CCT LED Spotlight (FUT103)

MR16 RGB+CCT LED Spotlight (FUT104)

[ 0201-2 ]

## Features



RGB+CCT

16 Millions of colors to choose



Color temperature

2700-6500K



Dimmable

Saturation control



Remote control

2.4GHz RF, Control distance 30m



Smart phone App control

Mi-Light WiFi Box is needed



iOS



ANDROID



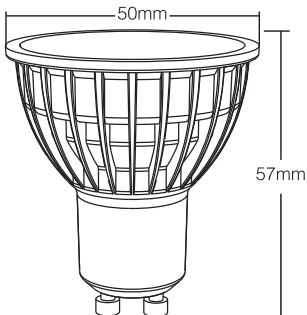
2.4G



WiFi



Made in China



### **GU10 RGB+CCT LED Spotlight**

Model No.: FUT103

Power: 4W

Voltage: AC100~240V

Lifespan: 50000h

Max Diameter: 50mm

Max Length: 57mm

Color temperature: 2700~6500K

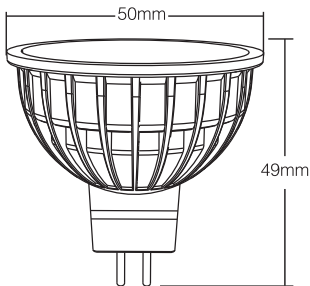
Luminous Flux: 250LM-280LM

Luminous Efficiency: 70LM/W

CRI: >80

Beam angle: 25°

PF: 0.55Φ



### **MR16 RGB+CCT LED Spotlight**

Model No.: FUT104

Power: 4W

Voltage: AC/DC12V

Lifespan: 50000h

Max Diameter: 50mm

Max Length: 49mm

Color temperature: 2700~6500K

Luminous Flux: 250LM-280LM

Luminous Efficiency: 70LM/W

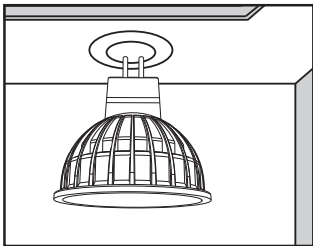
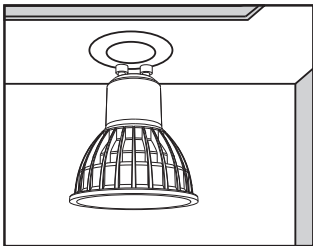
CRI: >80

Beam angle: 25°

## Instructions

### Step 1

Put the light bulb in the suitable lighting fixture.



## Step 2: Link/Unlink

Compatible with these remote controls  
(Purchased separately)



FUT089



FUT092



FUT088



FUT095



FUT096



B8



B4 / T4



B3 / T3



B0

## **NOTE:**

Lighting can be working after linking with remote; for more details, pls read the remote instruction.

- Avoid using under high temperature or moisture.
- Make sure the power is off before installation.